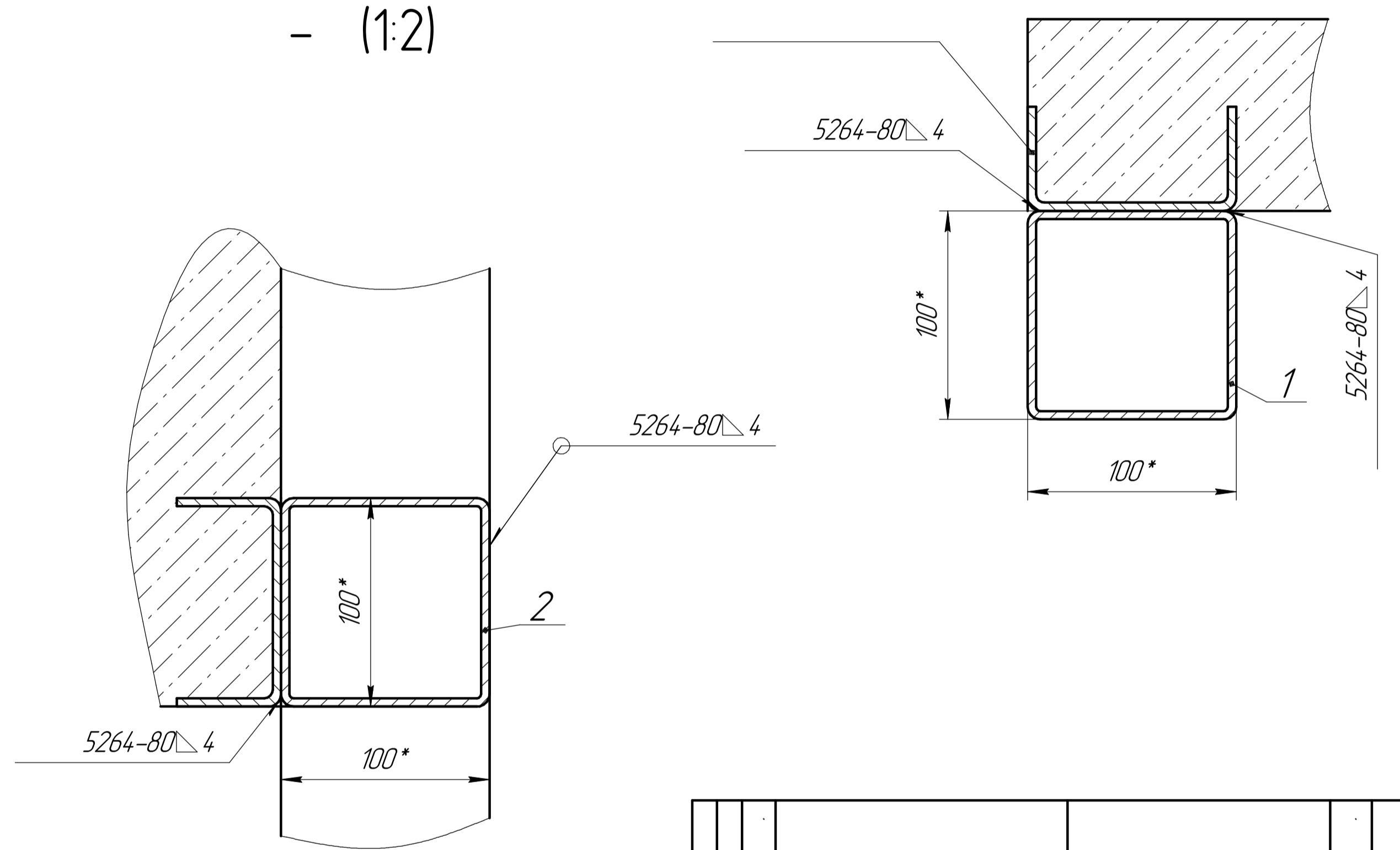
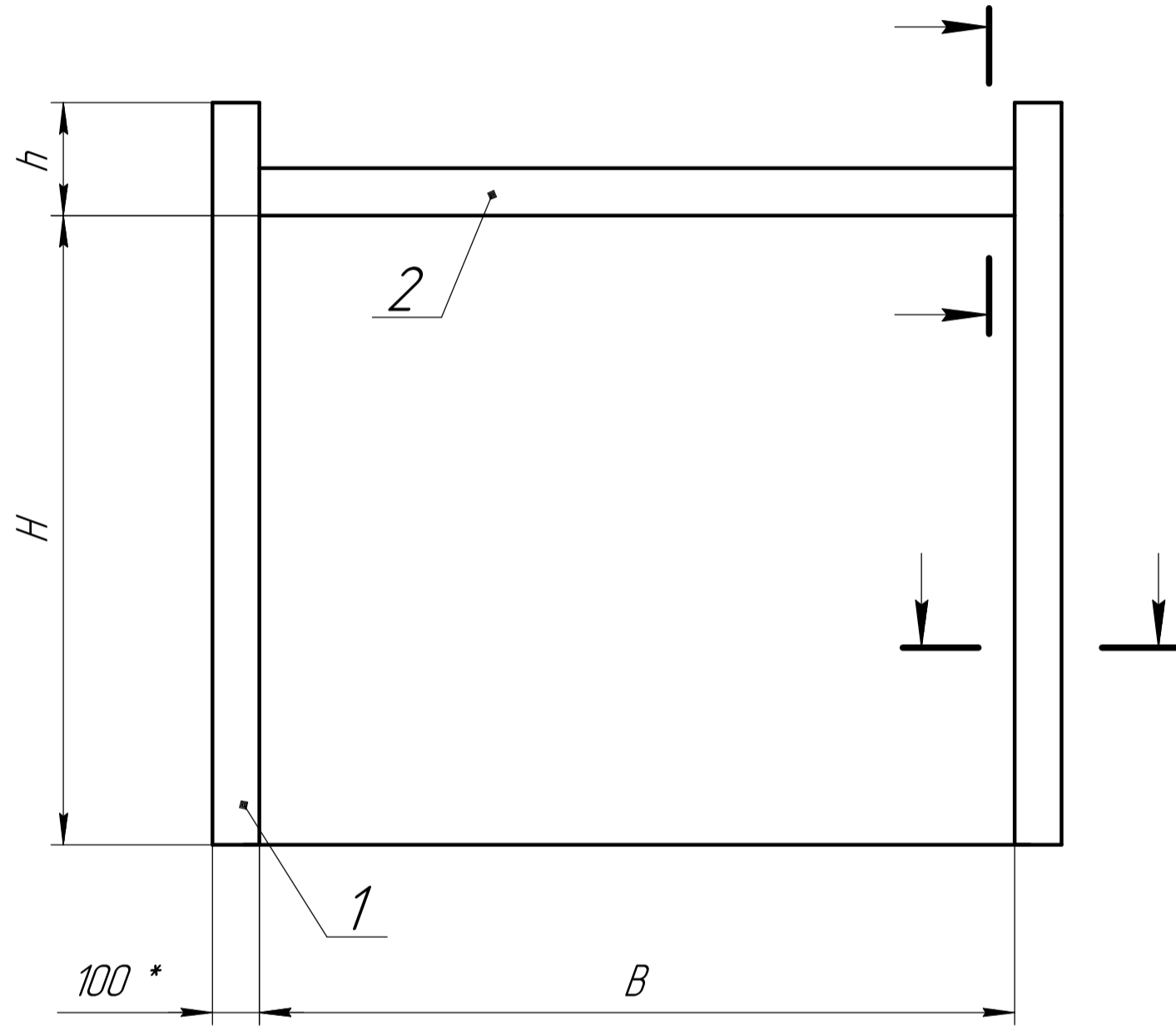


VS-11.01

- (1:2)

- (1:2)



H - (3000)
 B - (3500)
 h - c (>100)
 -

1	100	100	4	L=H+h	2		
2	100	100	4	L=B	1		
VS-11.01							
				RSD01		/	
						1	
1000 3 100 * 0103.17							